

DC HOB-O[®] HOLE BORER

A LIGHTWEIGHT PRECISION HOLE BORER, BEVELER
AND WELDER THAT IS EASY TO USE!



412-331-1776
www.bugo.com

Bug-O Systems is committed to empowering our customers
by providing operator controlled mechanized solutions for
their welding, cutting and custom applications.



DC HOB-O®



DC Hob-O®

The DC HOB-O® lightweight hole borer is easily carried to the work, and is quickly centered on the workpiece - all you need is a single center-punch mark. Set the hole radius on the built-in scale, light the torch, start your cut and hit the switch to make smooth accurate holes in any position; virtually eliminating the need for grinding and touchup. This flame-cutting machine will cut holes from 1" to 8" (25 mm to 200 mm) inside diameter and from 14 1/2" to 48" (368 mm to 1220 mm) outside diameter. When mounted with magnets, each magnet foot is covered with a shield to protect it from direct flame and heat.

Order reference:

- HOB-2303** 120 VAC/50-60/1
- HOB-2323** 240 VAC/50-60/1
- HOB-2313** 42 VAC/50-60/1

Torch Not Included

- Net Weight:** 30 lbs. (13.64 kg)
- Shipping Weight:** 35 lbs. (15.88 kg)
- Box Size:** 20" L x 19" W x 15" H
(508 x 483 x 381 mm)

The New Hob-O® with rare earth on/off Magsquare magnets provides a total of 2400 lbs. (1089 kg) of holding force to insure stability and extra hold security for out of position work. The on/off feature allows for easy positioning without fighting the magnetic power. Once the machine is positioned, the magnets are turned on and the machine will not move.

Order reference:

- HOB-2303-MSQ** Hob-O® 120 VAC/50-60/1
w/Magsquare Feet

Torch Not Included

- Net Weight:** 35 lbs. (15.9 kg)
- Shipping Weight:** 40 lbs. (18.14 kg)
- Box Size:** 20" L x 19" W x 15" H
(508 x 483 x 381 mm)





DC HOB-O® BLIND AREA KIT

DC Hob-O® Blind Area Kit

The **HOB-2080 BLIND AREA KIT** must be used with an 18" machine barrel torch and a DC Hob-O® in order to cut holes from 8" up to 14 1/2" (203 to 368 mm). It is lightweight and attaches easily on the machine. Set the hole radius, light the torch, start your cut and hit the switch to make smooth accurate holes in any position, virtually eliminating the need for grinding and touch-up.



Order reference:

HOB-2080 Blind Area Kit

Torch Not Included

Net Weight: 12 lbs. (5.45 kg)

Shipping Weight: 15 lbs. (6.80 kg)

Box Size: 20" L x 19" W x 15" H
(508 x 483 x 381 mm)



Order reference:

HOB-2080-MSQ Blind Area Kit w/Magsquare Feet

Torch Not Included

Net Weight: 16 lbs. (7.27 kg)

Shipping Weight: 20 lbs. (9.07 kg)

Box Size: 20" L x 19" W x 15" H
(508 x 483 x 381 mm)

DC Hob-O® With Blind Area Kit

The DC HOB-O® With Blind Area Kit combination includes both the machine as well as the blind area kit ordered by one part number. See below for desired voltage.



Order reference:

HOB-2204 120 VAC/50-60/1

HOB-2224 240 VAC/50-60/1

HOB-2214 42 VAC/50-60/1

Torch Not Included

Net Weight: 40 lbs. (18.18 kg)

Shipping Weight: 45 lbs. (20.41 kg)

Box Size: 20" L x 19" W x 15" H
(508 x 483 x 381 mm)



Order reference:

HOB-2204-MSQ 120 VAC Hob-O with Blind Area Kit w/Magsquare Feet

Torch Not Included

Net Weight: 45 lbs. (20.41 kg)

Shipping Weight: 50 lbs. (22.73 kg)

Box Size: 20" L x 19" W x 15" H
(508 x 483 x 381 mm)



DC HOB-O®

Technical Data:

Power

Requirements: HOB-2303 120 VAC/50-60/1
 HOB-2323 240 VAC/50-60/1
 HOB-2313 42 VAC/50-60/1

Dimensions: 15.06"L x 28.50"W x 10.50"H
 (383 mm x 724 mm x 267 mm)

Net Weight: 30 lbs. (13.6 kg)

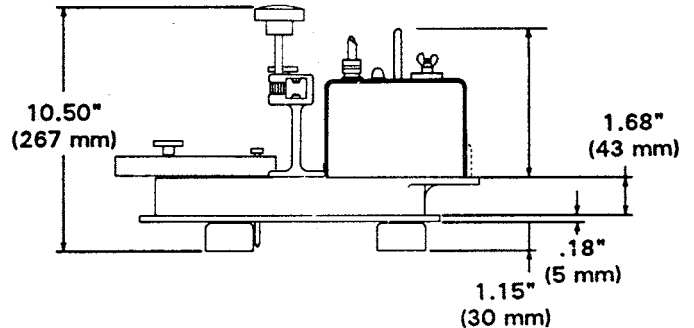
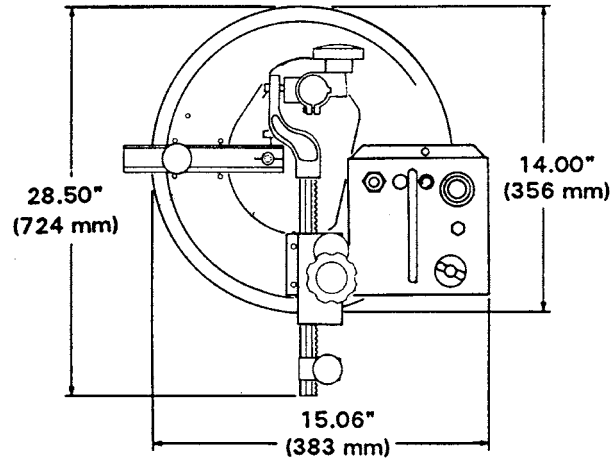
Shipping Weight: 35 lbs. (15.9 kg)

Speed: See Chart

Capacity: See Chart

Drives: The HOB-O® Drive Unit is a solid-state DC drive.

Dimensions:



Capacities and Speed Ranges

(HOB-5100-F 150:1 Ratio)

DIA. INCH	INCH SPEED IPM	DIA. mm	METRIC SPEED mm/min.
1	4-8	25	10-200
4	1.6-33	100	40-800
8	3.3-66	200	80-1600
15	6-125	380	150-3000
20	8-160	500	200-4000
25	10-200	600	250-5000
30	12-250	750	300-6000
35	14-290	900	370-7500
40	16-330	1000	400-8000
45	18-375	1100	450-9000
48	20-400	1200	500-10000

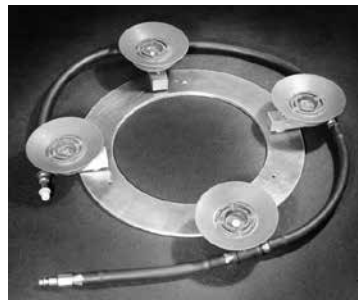
Speed range can also be found from formula:
 Minimum speed per minute = (0.4 x diameter).
 Maximum speed per minute = (8 x diameter).

NOTE: Individual machines may operate at speeds lower than minimum shown in chart.



The slug in No. 1, clean scrap, easily handled and readily sold.

Attachments:



HOB-1140 Vacuum Base can also be mounted on all HOB-O® units for use on nonferrous materials. The vacuum feet adjust to the work surface. Use with ARV-2020 Vacuum Pump Kit.